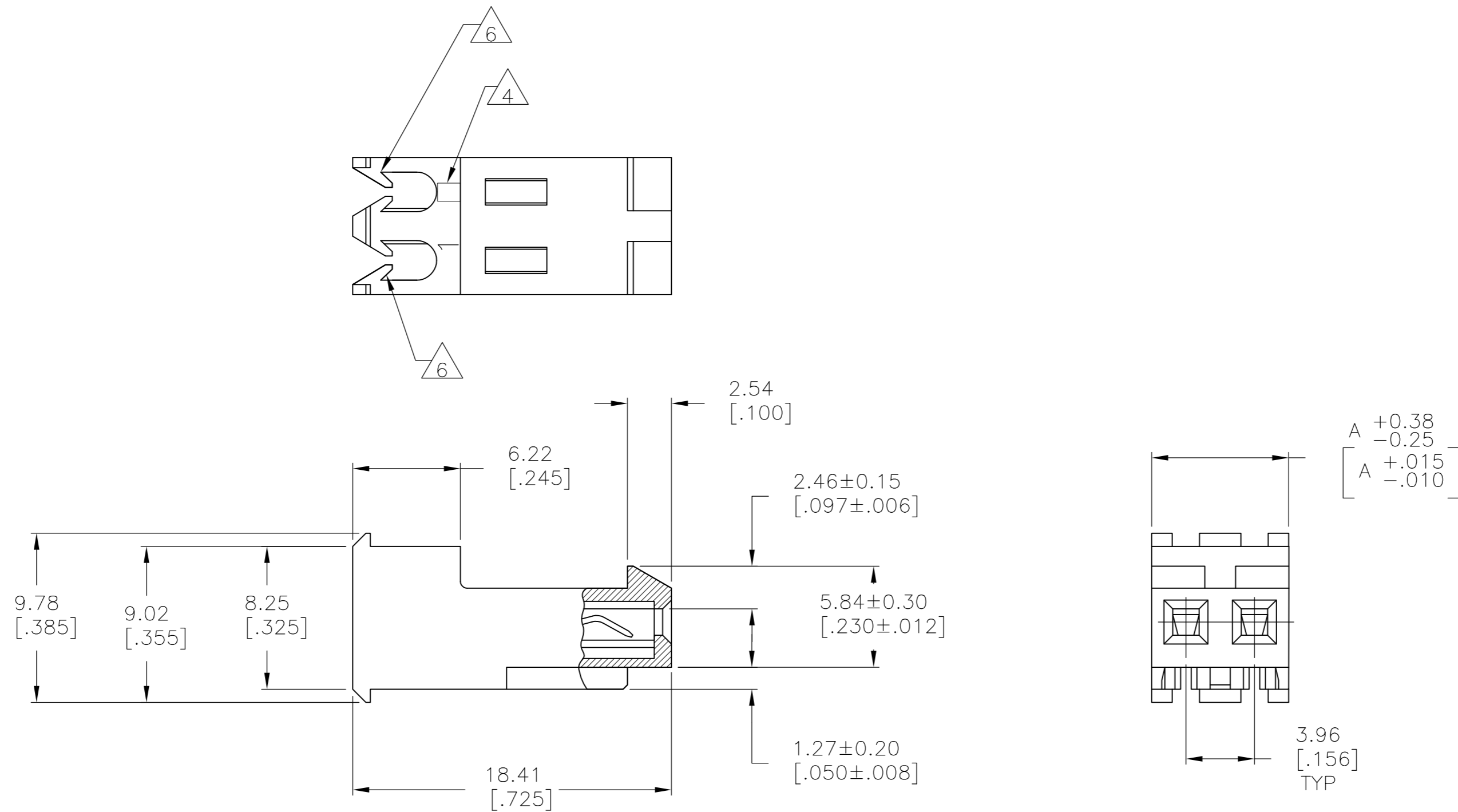


THIS DRAWING IS UNPUBLISHED. RELEASED FOR PUBLICATION
 © COPYRIGHT BY TYCO ELECTRONICS CORPORATION. ALL RIGHTS RESERVED.

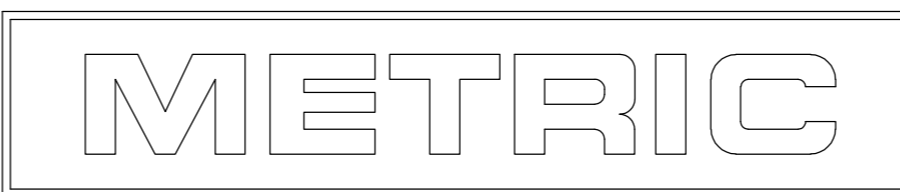
LOC	DIST	REVISIONS			
P	LTR	DESCRIPTION	DATE	DWN	APVD
CM	00	C	ECO-07-012896	26JUN07	KW DB



1 MATERIAL: CONNECTOR- NYLON UL94V-2 (ORANGE)
 CONTACTS - 0.30 [.012] THICK COPPER ALLOY BRIGHT TIN-LEAD
 0.00203 [.000080] MIN THICK FOR -2 THRU -28
 - 0.30 [.012] THICK COPPER ALLOY MATTE WHISKER
 MITIGATED TIN 0.00203 [.000080] MIN THICKNESS
 OVER NICKEL UNDERPLATE FOR -32 THRU -58.

- 2. CONTACTS ACCEPT 18 AWG WIRE WITH 2.41 [.095] MAXIMUM INSULATION DIAMETER.
- 3. CONTACTS MUST ACCEPT 1.14±0.03 [.045±.001] SQUARE POST AND REMAIN LOCKED IN POSITION.
- 4. IDENTIFICATION NUMBER FOR LAST CIRCUIT MAY NOT APPEAR ON ALL ASSEMBLIES.
- 5. HOUSING FEATURES ARE: FEED THRU WITH LOCKING RAMP.
- 6. CONNECTOR HAS STRAIN RELIEF TINES IN ALL POSITIONS. STANDARD CONNECTOR LACKS TINES ON ONE SIDE OF OUTSIDE WALLS OF HOUSING.

TIN	7.92 [.312]	2	3-647463-2
TIN-LEAD	7.92 [.312]	2	647463-2
FINISH	DIM A	NO. OF CIRCUITS	PART NO.



THIS DRAWING IS A CONTROLLED DOCUMENT.		DWN	S. HAMM	20FEB02	Tyco Electronics Corporation Harrisburg, PA 17105-3608
DIMENSIONS: mm [INCHES]		CHK	D. BOSSI	20FEB02	
TOLERANCES UNLESS OTHERWISE SPECIFIED:		APVD	D. BOSSI	20FEB02	
0 PLC ± - 1 PLC ± - 2 PLC ± - 3 PLC ± 0.13 [.005] 4 PLC ± - ANGLES ± -		PRODUCT SPEC	NAME		
MATERIAL	FINISH	APPLICATION SPEC	NAME		MTA-156 CONNECTOR ASSEMBLY 18 AWG, SPECIAL
-		WEIGHT	-	SIZE	A2
-		CUSTOMER DRAWING	SCALE	CAGE CODE	00779
-		SCALE	4:1	DRAWING NO	C-647463
-		SHEET	1 OF 1	RESTRICTED TO	-
-		REV	C		